



item number : 19792/24/03  
EAN code : 5411212193872

item number : 19792/24/12  
EAN code : 5411212193810

item number : 19792/24/30  
EAN code : 5411212193827

**CHAMPION LED**

## General

**Dimensions LxWxH :** 30cm x 30cm x 180cm  
**Height minimum :** -  
**Height maximum :** 180cm  
**Dimensions shade LxWxH :** 30 cm x 30 cm x 3.5cm  
**Main material :** Metal,Plastic  
**Color :** Satin nickel ; Black ; Antique brass  
**Style :** Modern  
**Shape :** As Shown  
**Weight :** 7.4kg  
**Warranty :** 3 years

## Product specifications

**Dimmable :** Yes  
**Light direction :** Uplight + Readinglight  
**Adjustable in height :** No  
**Directional :** Directional  
**Cable :** Yes, Cable On Product  
**Cable length :** 180cm  
**Control :** Rotary dimmer  
**IP-Class :** 20  
**Electric class :** 1  
**Light source including :** Yes  
**Lamp socket :** SMD LED  
**Light source number :**  
 1PC SMD 20W LED + 1PC SMD 4W LED  
**Power requirements :** 220-240V~50Hz  
**Bulb type & maximum wattage :**  
 AC LED 20W + AC LED 4W

For more specifications of this product please visit

[www.lucide.com](http://www.lucide.com)

LUCIDE

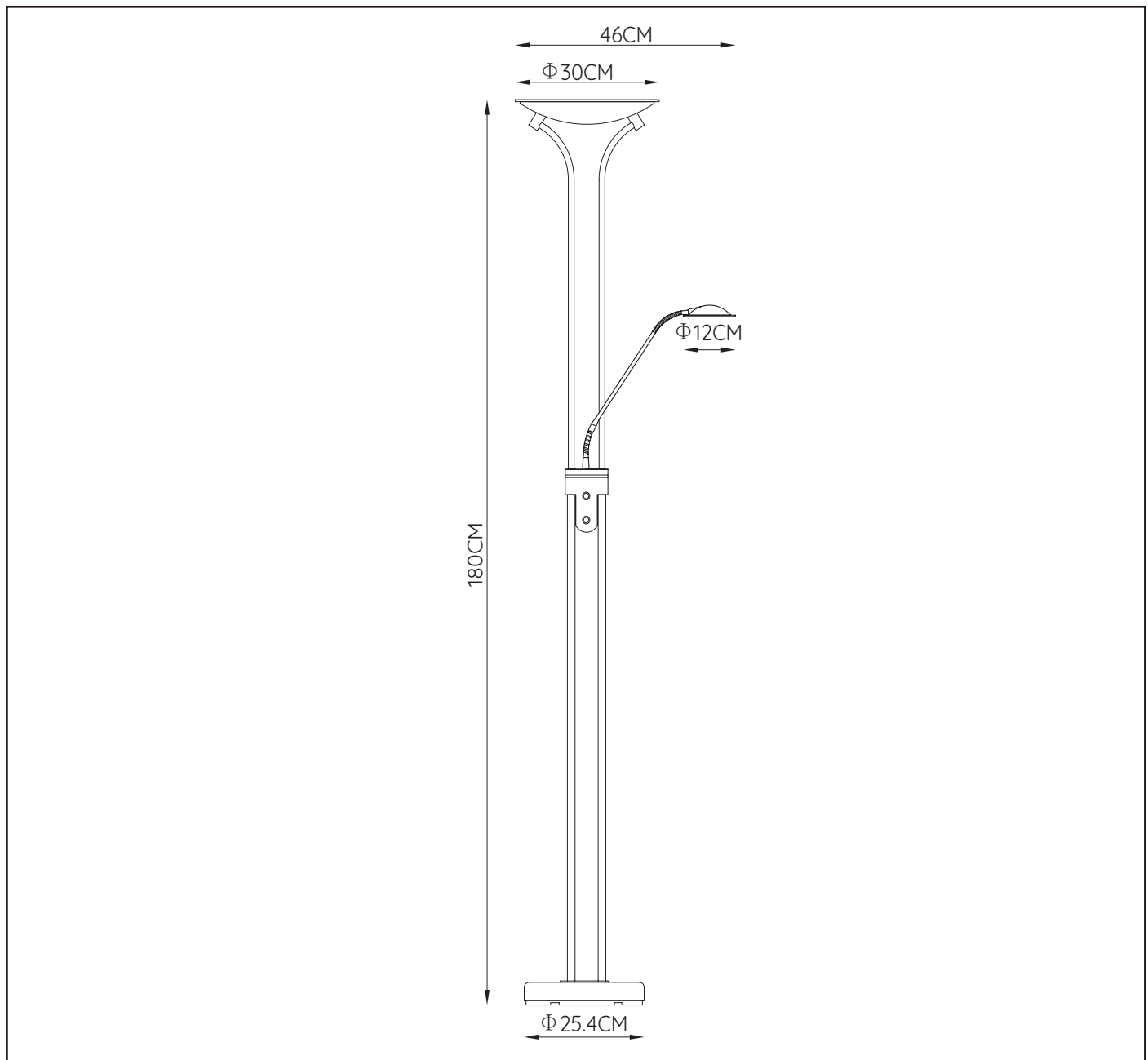
TECHNICAL DRAWING & DIMENSIONS

## CHAMPION LED

item number : 19792/24/03  
EAN code : 5411212193872

item number : 19792/24/12  
EAN code : 5411212193810

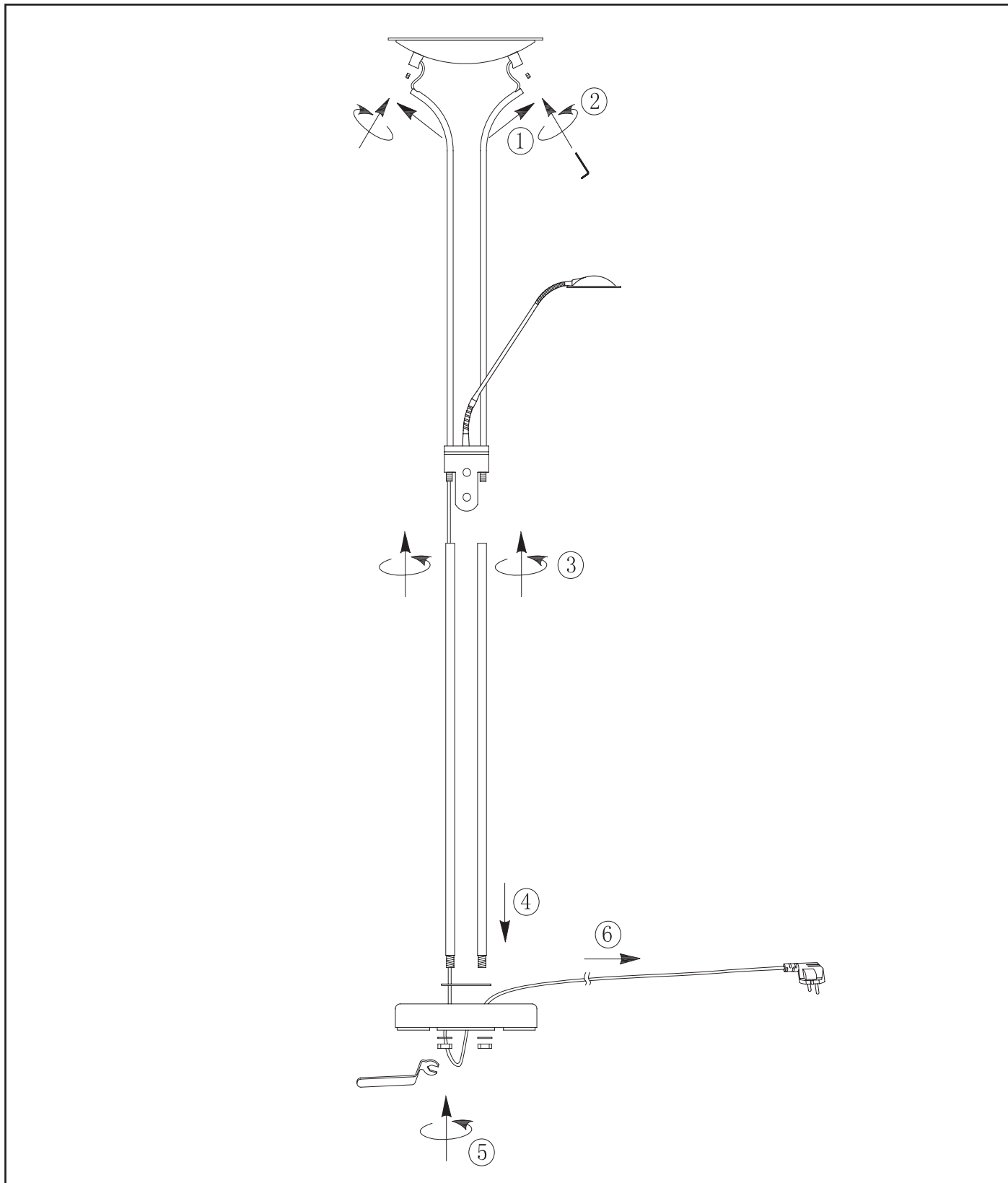
item number : 19792/24/30  
EAN code : 5411212193827



For more specifications, dimensions please visit  
[www.lucide.com](http://www.lucide.com)

# LUCIDE

INSTALLATION DRAWING SPECIFICATIONS



Dit product bevat een lichtbron van energie-efficiëntieklasse G (oude klasse A+).  
Ce produit contient une source lumineuse de classe énergétique G (ancienne classe A+).  
This product contains a light source of energy efficiency class G (old class A+).  
Dieses Produkt enthält eine Lichtquelle der Energieeffizienzklasse G (alte Klasse A+).  
Ten produkt zawiera ród o wiat a o klasie efektywno ci energetycznej G (stara klasa A+).